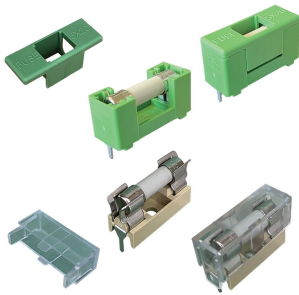


IEC Miniature Fuse Bases

Open type

FUSE BASES

MINIATURE FUSE BASES & HOLDERS



Mersen open fuseholders for 5x20 miniature fuses feature a simple, efficient design, ideal for applications requiring easy access to the fuse. With protection class I or II and IP00 rating, they are suitable for environments where protection against direct contact is not required. Their maximum contact resistance of 5 to 10 mΩ guarantees reliable electrical performance, and their UL94V0 material offers high resistance to flammability.

TECHNICAL DATA OVERVIEW

Voltage	250VAC
Amper (A)	6.3 A
IEC resistance voltage	1.5 kV
Frequency	50Hz / 60Hz
Contact resistance	5/10 mΩ MAX
Power rating	2.6 W
Mounting	Solder pin - mounting on printed circuit
Product Size	For miniature fuses size 5x20
Number of poles	1-Pole

FEATURES & BENEFITS

- Protection class: I or II
- Index of protection: IP00
- Contact resistance: 5/10 mΩ MAX
- Flammability rating: UL94V0
- Operating temperature : -30°C to +120°C
- Compliance: lead-free and ROHS
- Impact safety category: PC1

APPLICATIONS

- For miniature fuse 5x20

STANDARDS

- IEC 60127-6



IEC Miniature Fuse Bases

Open type

PRODUCT RANGE



MISIPTF76

IEC Miniature Fuse Bases - Open type PTF 76/78 /10

Catalog number	Item number	Designation	Package
MISIPTF76	J208227	SI PTF 76	10
MISIPTF78	K208228	SI PTF 78	10



MISIPTF78

IEC Miniature Fuse Bases - Open type PTF 15/15B /10



MISIPTF15

Catalog number	Item number	Designation	Package
MISIPTF15	P204943	SIPTF 15	10
MISIPTF15B	M209012	SI PTF 15B	10



MISIPTF15B

IEC Miniature Fuse Bases - Open type PTF 15/15B /1000

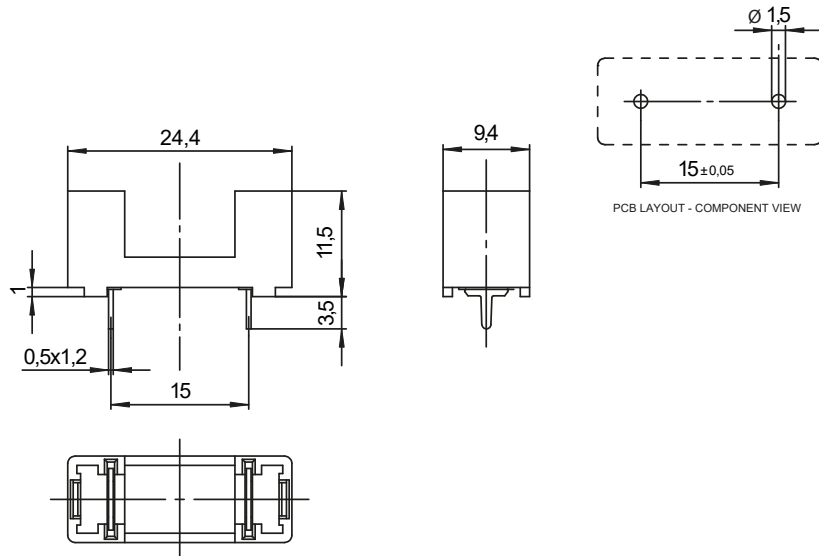
Catalog number	Reference number	Designation	Package
MISIPTF15/1000	P204943T	SIPTF 15/1000	1000

IEC Miniature Fuse Bases

Open type

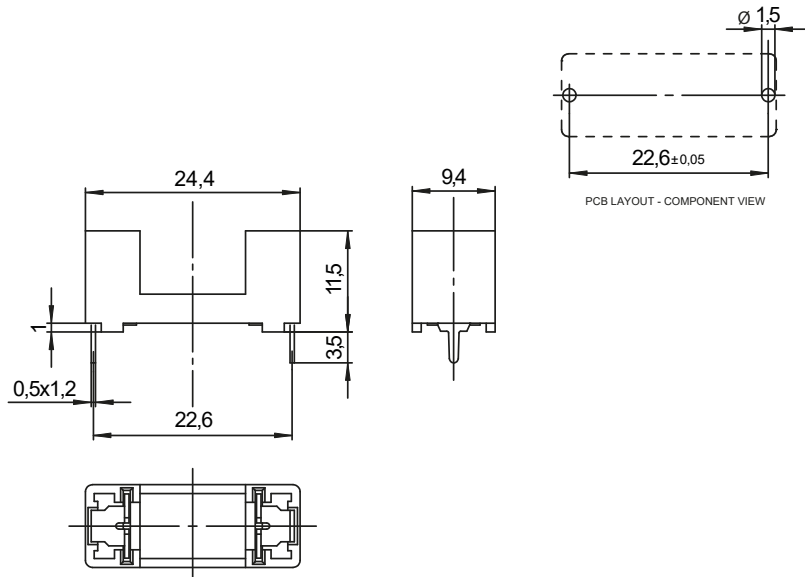
DIMENSIONS

J208227- SI PTF 76



Dimensions in mm

K208228 - SI PTF 78



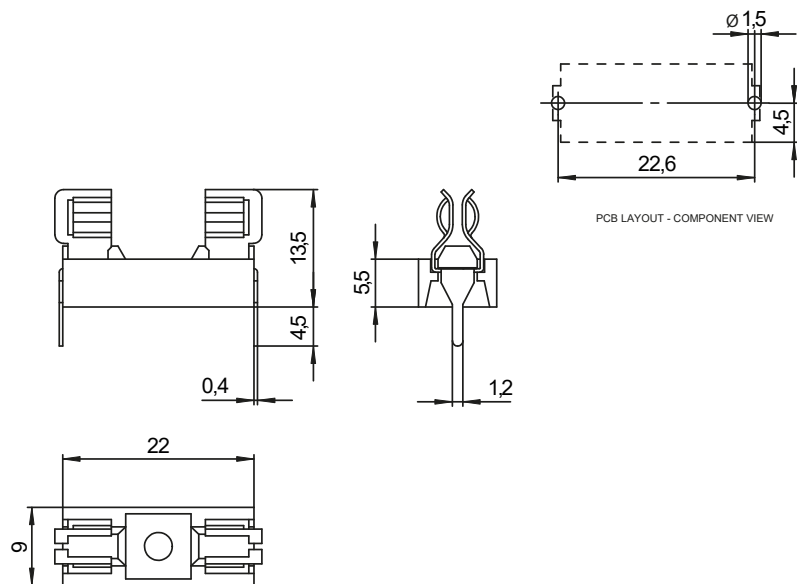
Dimensions in mm

IEC Miniature Fuse Bases

Open type

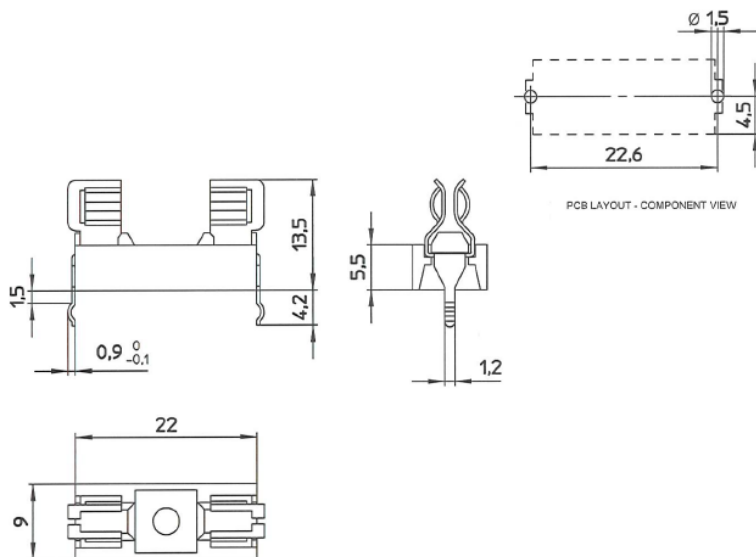
DIMENSIONS

P204943- SI PTF 15



Dimensions in mm

W202074 - SI PTF 15 B



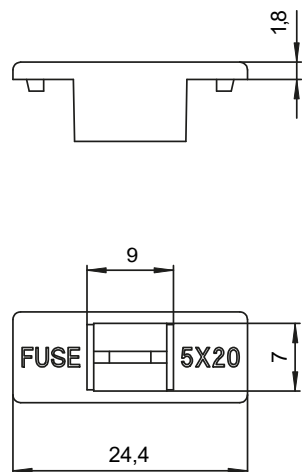
Dimensions in mm

IEC Miniature Fuse Bases

Open type

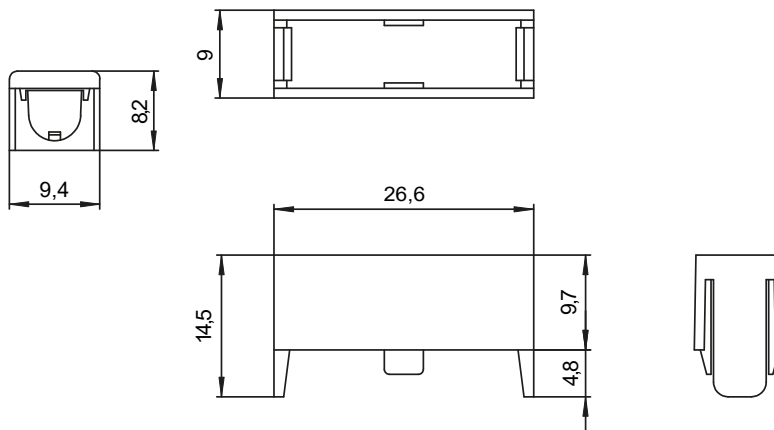
DIMENSIONS

L208229 - CAPOT BS POUR SI PTF 76 & 78



Dimensions in mm

S204946 - CAPOT 140 POUR SI PTF 15 & 15B



Dimensions in mm

TECHNICAL CHARACTERISTICS

Fuse-holder materials open

	Contact cover	Insulation
PTF 15 - PTF 15B	Copper alloy	PPOmG20
PTF 76 - PTF 78	Copper alloy	PA6/66
Hood		PA6/66