

Surge-Trap® STXT Series

Surge Protective Device

SURGE PROTECTION

PANEL MOUNT SPD FOR UL 1449 TYPE 1 AND 2 APPLICATIONS



The most advanced of the STX series, the Surge-Trap Type 1 STXT Series comes standard with EMI/RFI Filtering and surge capacities up to 200kA. The STXT features TPMOV® technology inside, making it the safest product available. Does not require additional overcurrent protection. With line or load side installation flexibility, this unit is a great fit from the service entrance all the way down to each distribution and/or branch panel.

Technical Data Overview	
Surge Current Rating (Imax)	100kA and 200kA - Per Phase
System Voltage	120VAC-600VAC
Nominal discharge current (I _n - 8x20 μs)	20kA
Short Circuit Current Rating (SCCR)	200kA
Nominal power frequency	50-60 Hz
Response Time	Less than 1 nanosecond (one per phase)
Mounting	Female 3/4" – 14 threaded hub Mounting feet with 0.25" diameter holes
Wiring	Wire Lugs for 8 AWG copper
Enclosure	NEMA 4X Non-metallic
Flammability	UL 94-5VA
Operating & Storage Temperature	- 40°F [40°C] to + 185°F [85°C]
Relative Humidity Range	0 to 95% non-condensing
Visual Status Indicator	LED per Phase Green = Functional / OUT = Replace
Optional Status Indicator	Form C Dry Contact and Audible Alarm

FEATURES/BENEFITS

- Designed with industry leading Mersen TPMOV technology
- Standard features include LED phase loss indication and EMI/RFI filter Up to -50dB from 10kHz to 100MHz
- Optional Form C Dry Contacts and audible alarm with silence button
- Mounting hub and mounting feet for installation flexibility
- Up to 10 Modes of Protection
- 10-year manufacturer's warranty

APPLICATIONS

- Service entrance at low to medium risk exposure level
- Commercial and Industrial Distribution Panels or Control Branch Panels
- Any critical application that requires a high to medium level of protection

APPROVALS/STANDARDS

- ANSI/UL 1449 5th Edition, Type 1 SPD, File E210793
- CSA C22.2, Type 1 SPD
- ANSI/IEEE C62.41.1, C62.41.2, C62.45
- UL96A Lightning Protection
- RoHS Compliant



CATALOG NUMBERS AND ELECTRICAL CHARACTERISTICS

Catalog Number (includes suffixes*)	System Voltage and Configuration	I _n	Maximum Continuous Operating Voltage (MCOV, U _c)				Voltage Protection Rating (VPR) (UL 1449, 6kV, 3kA)			
			L-N	L-G	L-L	N-G	L-N	L-G	L-L	N-G
STXT120P20	120V Single Phase	20kA	150	150	-	150	700	700	-	700
STXT240P20	240V Single Phase	20kA	320	320	-	150	1200	1200	-	700
STXT240S20	240/120V Split Phase	20kA	150	150	300	150	700	700	1000	700
STXT480S20	480/240V Split Phase	20kA	320	320	640	150	1200	1200	2000	700
STXT208Y20	208/120V 3-Phase WYE	20kA	150	150	300	150	700	700	1000	700
STXT380Y20	380/220V 3-Phase WYE	20kA	320	320	640	150	1200	1200	2000	700
STXT480Y20	480/277V 3-Phase WYE	20kA	320	320	640	150	1200	1200	2000	700
STXT600Y20	600/347V 3-Phase WYE	20kA	420	420	840	275	1500	1500	2500	1200
STXT240D20	240V 3-Phase DELTA	20kA	-	320	640	-	-	1200	2000	-
STXT480D20	480V 3-Phase DELTA & HRG WYE	20kA	-	550	1100	-	-	1800	3000	-
STXT600D10	600V 3-Phase DELTA	20kA	-	695	840	-	-	2500	2500	-
STXT480B20	480V B Corner Ground DELTA	20kA	-	550	1100	-	-	1800	4000	-
High-Leg Delta Configuration			L-N/HL-N	L-G/HL-G	L-L/HL-L	N-G	L-N/HL-N	L-G/HL-G	L-L/HL-L	N-G
STXT240H20	240/120V Hi-Leg DELTA	20kA	150/275	150/275	300/425	150	700/1200	700/1200	1000/2000	700
STXT480H20	480/240V Hi-Leg DELTA	20kA	320/550	320/550	640/870	320	1200/1800	1200/1800	2000/2500	1200

For 100kA Surge Capacity models, in the part number substitute "10" for "20" Example: STXT208Y10

OPTIONAL FEATURES

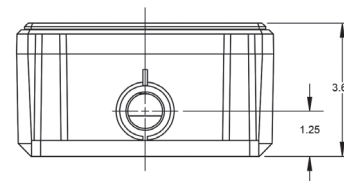
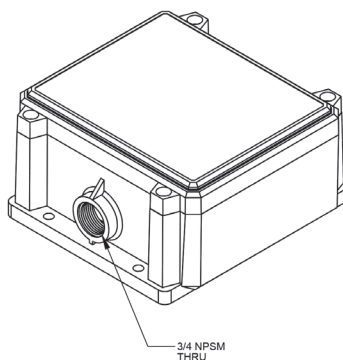
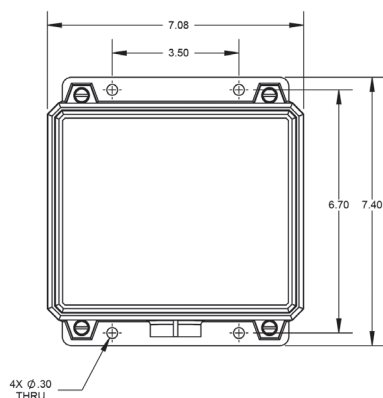
*Audible Alarm and Dry Contact:

Add Suffix "A" at the end of the part number for Audible Alarm and Dry Contact. Alarm sounds when any protection is lost. Example: STXT208Y20A

- Audible Alarm: Alarm sounds when any protection is lost
- Dry Contact Specification:
 - 125VAC, 1A Resistive
 - 30VDC, 2A General Purpose
 - COM, Common
 - NO, Normally Open NC
 - NC, Normally Closed



DIMENSIONS



© 2025 Mersen. All rights reserved. Mersen reserves the right to change, update, or correct, without notice, any information contained in this datasheet.